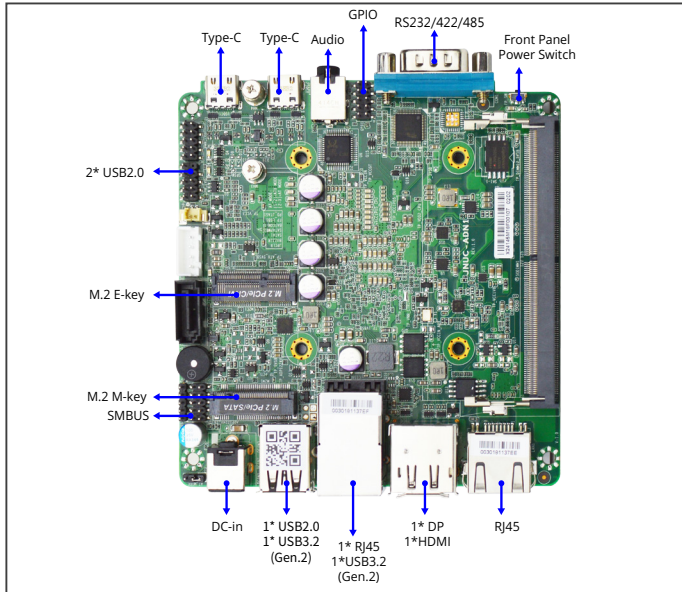


JNUC-ADN1

NUC with Intel® Processor N-series Processors (formerly Alder Lake N)



Features

- 1 x DDR5 SODIMM Slot, up to 32GB
- 1 x HDMI 2.0b, 1 x DP1.4, 2 x Type C DP
- 2 x 2.5GbE
- 4 x USB 3.2 Gen2 (2 x Type-A, 2 x Type-C DP ALT Mode), 3 x USB2
- 1 x RS232/422/485
- 1 x M.2 2260/2280 M-key, 1 x M.2 2230 E-key
- DC Input 12~19V

Applications

- Edge Computing
- IoT
- Industrial Automation

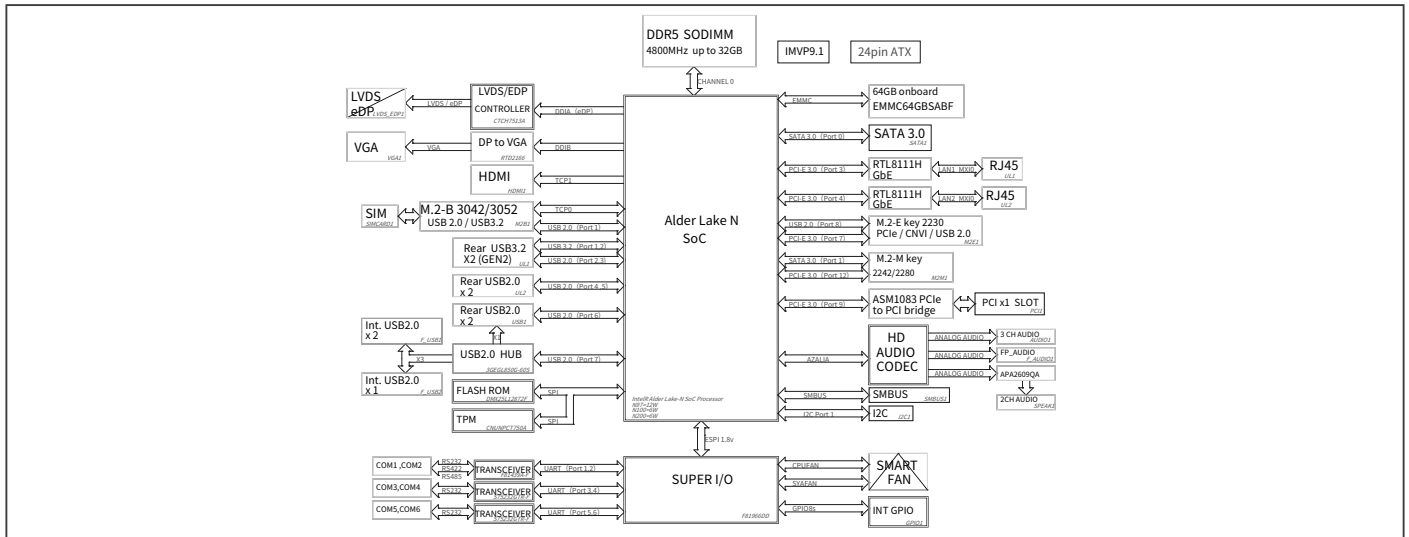
Packing List

Part Number	Description	QTY per Board
	JNUC-ADN1 MB	1
F07-FNJNU93-F	CPU Hearsink with fan	1
G01-COM-H2M22-1F	COM cable	1
G01-PW4PS-2S-322F	SATA power cable	1
G01-SATA3-BL-1F	SATA cable	1

Specifications

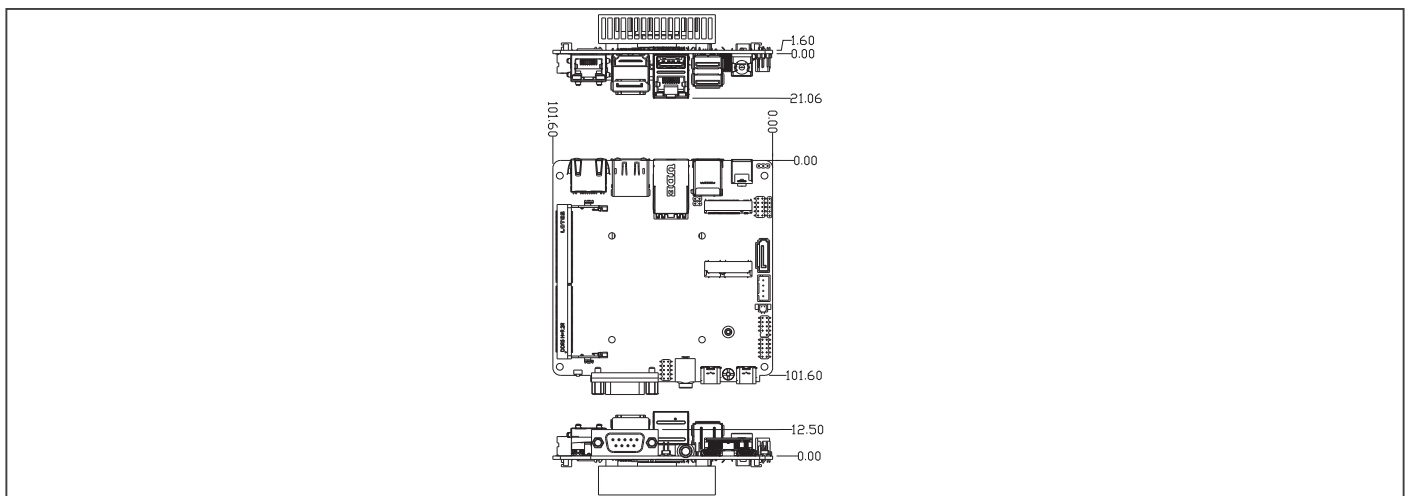
SYSTEM	
FORM FACTOR	NUC
CPU	Onboard Intel® Processor N-series Processors Intel® Processor N97 *For additional compatible CPUs, please contact regional sales
CPU TDP	12W
CHIPSET	Integrated with Intel® SoC
MEMORY TYPE	1 x DDR5 4800MHz, Single Channel SODIMM, up to 32GB
BIOS	UEFI with Intel PTT fTPM2.0
WAKE ON LAN	Yes
WATCHDOG TIMER	255 Levels
SECURITY	TPM2.0 (optional)
RTC BATTERY	Lithium Battery
DIMENSION (L X W)	101mm x 101mm (4" x 4")
OS SUPPORT	Windows® 10 (64bit), Windows® 11 (64bit) Linux
POWER	
POWER REQUIREMENT	DC 12~19V
POWER SUPPLY TYPE	AT/ATX
CONNECTOR	External DC-in Connector
DISPLAY	
CONTROLLER	Intel® UHD Graphics
LVDS/eDP/MIPI-DSI	—
DISPLAY INTERFACE	1 x HDMI 2.0b, up to 4K x 2K 60Hz 1 x DP1.4, up to 4K x 2K 60Hz 2 x Type C DP1.4, up to 4K x 2K 60Hz
MULTIPLE DISPLAY	Support 3 Displays
AUDIO	
CODEC	Realtek ALC897
AUDIO INTERFACE	Line-out/MIC
Speaker	—
EXTERNAL I/O	
ETHERNET	2 x Intel® i225V, 10/100/2500Base
USB	2 x USB3.2 Gen 2 2 x USB3.2 Gen 2 Type C support ALT mode 1 x USB2.0
SERIAL PORT	1 x RS232/422/485
VIDEO	1 x HDMI 2.0b 1 x DP1.4 2 x Type C DP1.4
OTHERS	—
INTERNAL I/O	
USB	2 x USB2.0
SERIAL PORT	—
VIDEO	—
AUDIO	—
GPIO	8-Bit
SMBUS	Yes
I2C	—
FAN	1 x CPU Fan
SIM	—
FRONT PANEL	PWR LED Power Button
OTHERS	—
STORAGE	
SATA	1 x SATA3 1 x SATA Power Connector
MINI PCI-E/MSATA	—
M.2	1 x M-Key 2260/2280 (SATA/PCIe 3.0 x2) support NVMe
eMMC	eMMC 64GB (optional)
EXPANSION	
M.2	1 x E-key 2230 (USB2.0/PCIe 3.0x1) support CNVio
OTHERS	—
ENVIRONMENT & CERTIFICATION	
OPERATING TEMPERATURE	-20°C ~ 60°C (-4°F ~ 140°F)
STORAGE TEMPERATURE	-20°C ~ 85°C (-4°F ~ 185°F)
OPERATING HUMIDITY	10% ~ 90% relative humidity, non-condensing
CERTIFICATION	Meet CE/FCC Class A

Block Diagram



Dimension

Unit: mm



Ordering Information

Part Number	JNUC-ADN1-N97000	JNUC-ADN1-N97002	JNUC-ADN1-N97004	JNUC-ADN1-N97008
CPU	Intel® Processor N97	Intel® Processor N97	Intel® Processor N97	Intel® Processor N97
DISPLAY	1 x HDMI 1 x DP 2 x TypeC DP	1 x HDMI 1 x DP 2 x TypeC DP	1 x HDMI 1 x DP 2 x TypeC DP	1 x HDMI 1 x DP 2 x TypeC DP
LAN	2 x 2.5GbE	2 x 2.5GbE	2 x 2.5GbE	2 x 2.5GbE
USB	2 x USB 3.2 Gen 2 2 x USB 3.2 Gen2 TypeC 3 x USB 2.0	2 x USB 3.2 Gen 2 2 x USB 3.2 Gen2 TypeC 3 x USB 2.0	2 x USB 3.2 Gen 2 2 x USB 3.2 Gen2 TypeC 3 x USB 2.0	2 x USB 3.2 Gen 2 2 x USB 3.2 Gen2 TypeC 3 x USB 2.0
RS-232	—	—	—	—
RS-232/422/485	1	1	1	1
STORAGE	1 x SATAIII 1 x M.2 M-key 2260/2280	1 x SATAIII 1 x M.2 M-key 2260/2280	1 x SATAIII 1 x M.2 M-key 2260/2280	1 x SATAIII 1 x M.2 M-key 2260/2280
EXPANSION SLOT	1 x M.2 E-key 2230	1 x M.2 E-key 2230	1 x M.2 E-key 2230	1 x M.2 E-key 2230
TPM	—	TPM2.0	—	TPM2.0
eMMC	—	—	64GB	64GB
POWER	12-19V	12-19V	12-19V	12-19V
OPERATING TEMP	-20°C ~ 60°C	-20°C ~ 60°C	-20°C ~ 60°C	-20°C ~ 60°C